

SIRIUS One - LRIT & VMS



SIRIUS One is as simple as tracking should be.

A fully self-contained unit that will keep you tracked - even without external power.

Polaris Electronics A/S has combined all the input received from customers with the hard earned experience from the deployment of high tech hardware in the maritime environment, and come up with this Iridium tracking transceiver. Robustness, reliability, versatility and low cost were the focus points during the design of the device.

By utilizing the Iridium satellites together with a cutting edge low powered combined GPS and GLONASS module we have created a great solution both in regards to tracking abilities and prolonged operation on battery.

The Iridium Satellites provide not only true global tracking and connectivity,

but also relieve you from the constraints of the geo stationary satellites that imply limitations on the placement of the transceiver on board vessels.

SIRIUS One facts

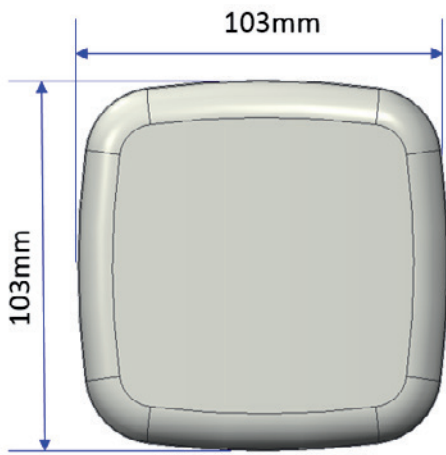
- Compact and lightweight
- Simple web interface for status and configuration
- Simple installation - Just add power for standalone operation
- Fits directly on a 1"-14 pipe
- Connection box option with status LEDs, IO pins and more
- Prolonged battery operation
- Over-the-air configuration
- Event driven reporting option
- Report format complies with LRIT and most VMS demands

- Customizable reporting format
- Internal log file

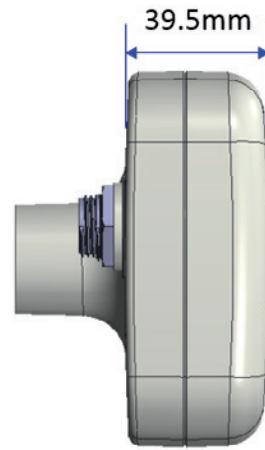
As Iridium airtime service provider we are able to provide a swift tracking solution whether you have your own tracking system or want to use our solution.



SCAN THIS CODE TO VISIT OUR WEBSITE



Front View



Side View

HARDWARE FEATURES

Fully self-contained transceiver
 Built in GPS and GLONASS antenna
 Built in Iridium antenna
 Battery operation
 Heater for sub-zero charging
 Internal temperature sensor
 LED status lights on the connection box.
 LED status in the bottom of the transceiver

SOFTWARE FEATURES

Web interface for:

- Easy configuration
- Dash board and status screen
- Text messaging

Iridium LRIT polling and reporting supported

Tracking and VMS interval reporting:

- 10 byte compact precision format
- 12 byte high resolution format

Event- and other reports:

- Power up and down
- GPS blocked/ unblocked
- Iridium blocked/ unblocked
- Stored reports

POLARIStrack, Polaris Electronics' own web based tracking system, makes it possible to instantly deploy basic VMS solutions at very low cost

TECHNICAL SPECIFICATIONS

Power consumption @ 24 VDC:

RX mode < 250mA TX mode < 2A Power save < 50mA

Nominal Power range:

12 VDC - 48 VDC

Temperature range:

-40° C to + 80° C storage

-25° C to + 50° C operation

Weight:

290 g without battery 390 g with battery

Approvals include:

FCC CE IEC 60945 Iridium IP67

Interfaces:

| | | |
|--------------------|----------|-------------|
| Wi-fi access point | Ethernet | RS232/RS485 |
| USB | IO pins | CAN-Bus |

OTHER PRODUCTS AND SERVICES

- Worldwide Service Network
- 24/7/365 service
- Fully qualified technicians and partners
- Shipping with day-to-day delivery
- A single point of contact for all your Navigation and Communication services



* Some features requires additional hardware and or accessories not included in the basic package.